

GADR Levelling Glide

Features

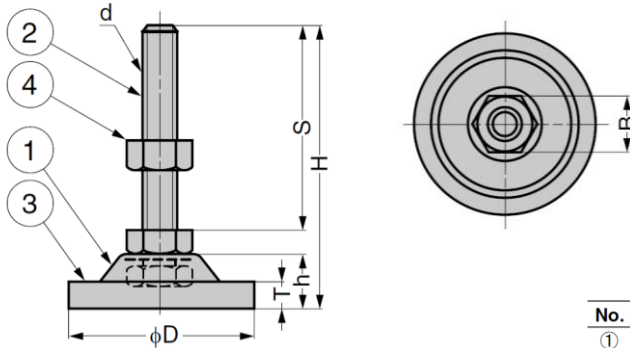
- Bottom cover made of elastomer with excellent impact resistance
- Hexagon nut at the bottom for easy installation

Notes

- Do not move horizontally under load. Cover may come off or wear out

Sold Separately

- Washer **GADZS** (stainless steel)
- Washer **GADZ** (steel)



No.	Part Name	Material	Finish/Colour
①	Body	Stainless Steel (SUS304)	Polished
②	Threaded Bolt		
③	Cover	Elastomer (TPE)	Black
④	Nut	Stainless Steel (SUS304)	Plain

GADRS - Stainless Steel

Part No.	D	d	H	h	T	S	B	Load Capacity (per piece)	
GADRS37-8-60	41	M8	78	12.5	6	60	13	196 N	20 kg
GADRS37-10-50		M10	69.5			50	17		
GADRS55-12-100	62	M12	126.5	18.5	9	100	19	784 N	80 kg
GADRS55-12-120			146.5			120			
GADRS75-16-150	80	M16	182.5	22.5	9	150	24	1,470 N	150 kg
GADRS75-20-150		M20	185.5						

No.	Part Name	Material	Finish/Colour
①	Body	Steel (SPCC)	Clear Zinc Chromate (Trivalent)
②	Threaded Bolt	Steel (SWRCH)	
③	Cover	Elastomer (TPE)	Black
④	Nut	Steel (SWRCH)	Clear Zinc Chromate (Trivalent)

GADR - Steel

Part No.	D	d	H	h	T	S	B	Load Capacity (per piece)	
GADR37-8-50	41	M8	68	12.5	6	50	13	196 N	20 kg
GADR37-10-50		M10	69.5				17		
GADR55-12-50	62	M12	76.5	18.5	9	100	19	784 N	80 kg
GADR55-12-100			126.5						
GADR55-12-120	62	M12	146.5	18.5	9	150	19	784 N	80 kg
GADR55-12-150			176.5						
GADR75-16-100	80	M16	132.5	22.5	9	100	24	1,470 N	150 kg
GADR75-16-130			162.5						
GADR75-16-180	80	M16	212.5	22.5	9	180	24	1,470 N	150 kg
GADR75-16-200			232.5						